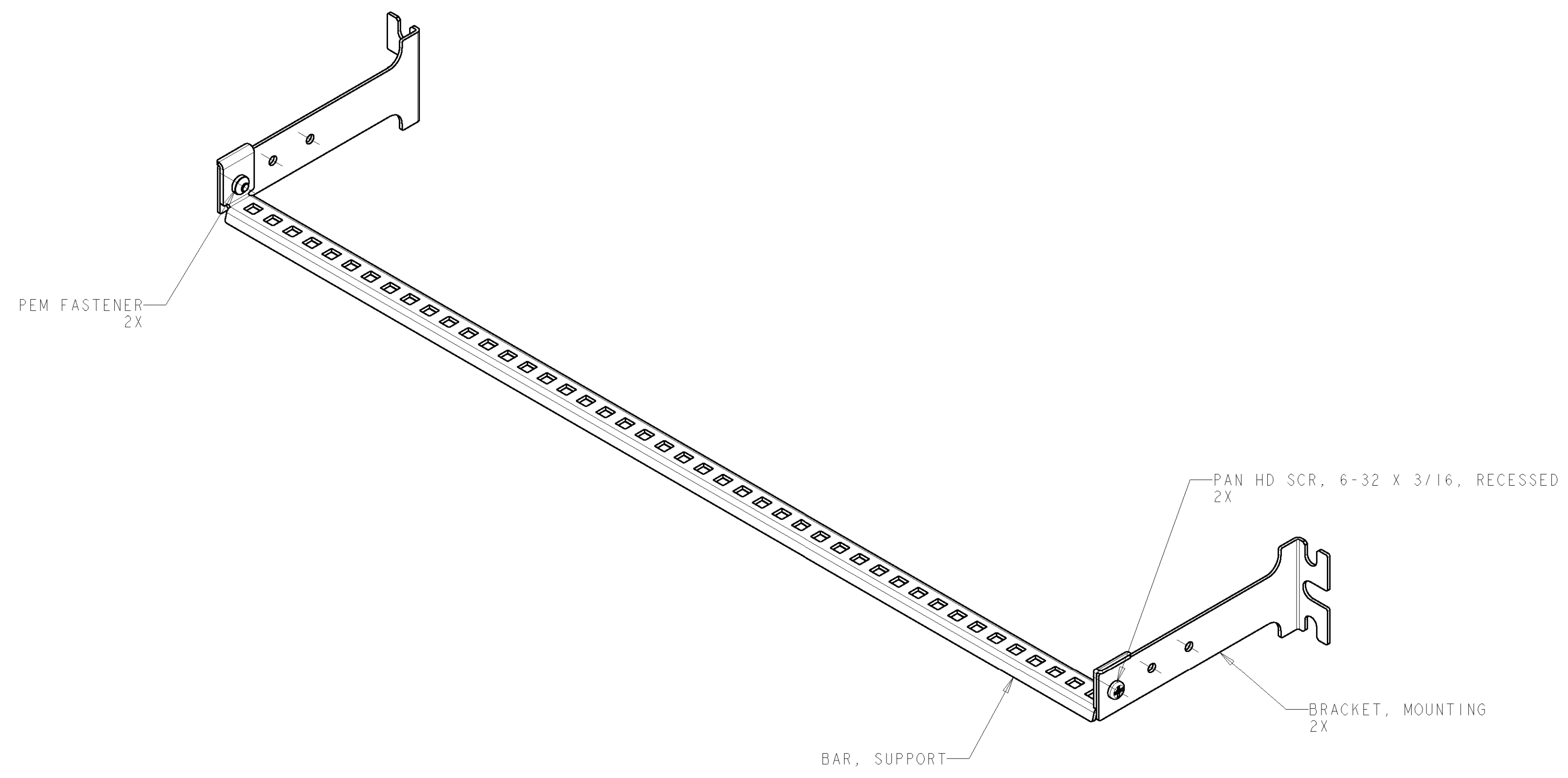
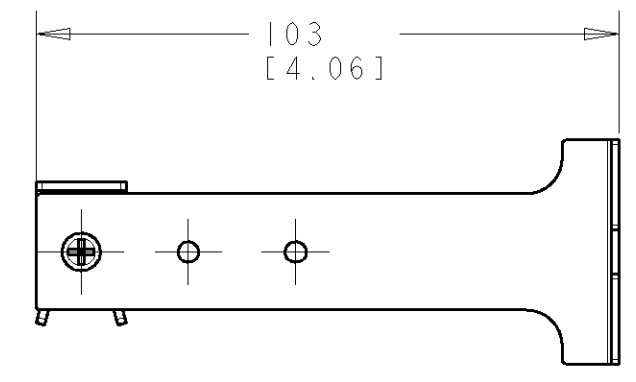
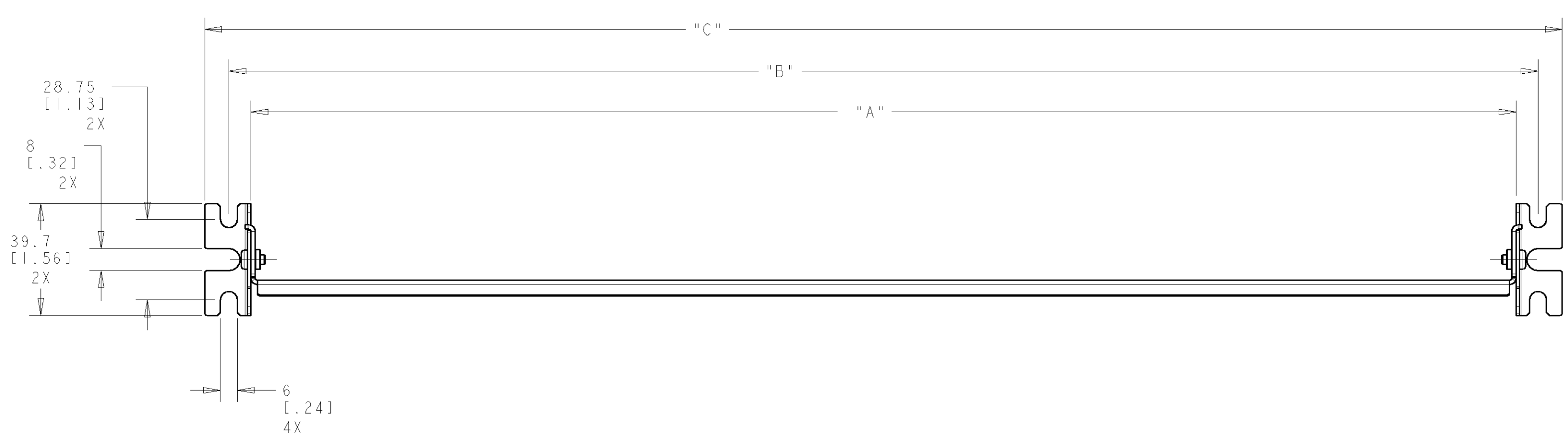
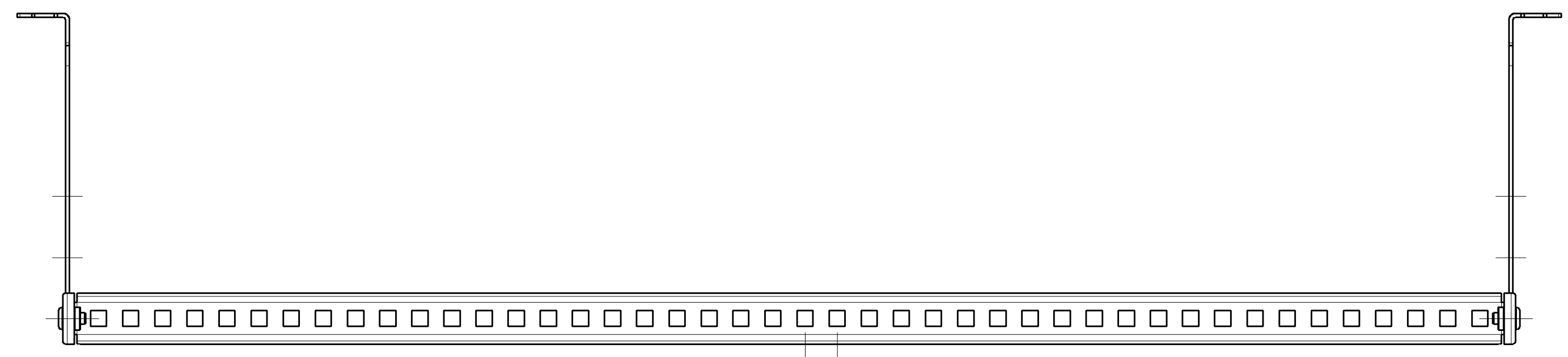


LOC	DIST	REVISIONS			
P	LTR	DESCRIPTION	DATE	DWN	APVD
A		NSD-05-085	02AUG2005	JM	MD



1. ALL DIMENSIONS ARE REFERENCE.
2. COMPONENT MATERIAL AND FINISH:  
 BRACKET, MOUNTING: COLD ROLL STEEL, BLACK POWDER COAT FINISH.  
 BAR, SUPPORT: COLD ROLL STEEL, BLACK POWDER COAT FINISH.  
 PEM SELF-CLINCHING FASTENER: STEEL  
 PAN HD SCR, STEEL

472.6 [18.61]	463.6 [18.25]	448 [17.63]	1499659-3
132.6 [5.22]	115.6 [4.55]	100 [3.94]	1499659-2
72.6 [2.9]	56.3 [2.2]	40 [1.57]	1499659-1
DIM "C"	DIM "B"	DIM "A"	PART NUMBER

DIMENSIONS: mm [INCHES] TOLERANCES UNLESS OTHERWISE SPECIFIED: 0 PLC ± 1 PLC ± 2 PLC ± 3 PLC ± 4 PLC ± ANGLES ±		DWN J MCNEAL 02AUG2005 CRK M DELPHIAS 02AUG2005 APVD D DOLLYHIGH 02AUG2005		<b>tyco</b> Tyco Electronics Harrisburg, PA 17105-3608	
MATERIAL: - FINISH: -		PRODUCT SPEC: - APPLICATION SPEC: - WEIGHT: -		NAME: RACK SUPPORT AMP TRAC SIZE: A   00779   C=1499659 SCALE: .75 SHEET 1 OF 1 REV A	
CUSTOMER DRAWING					